



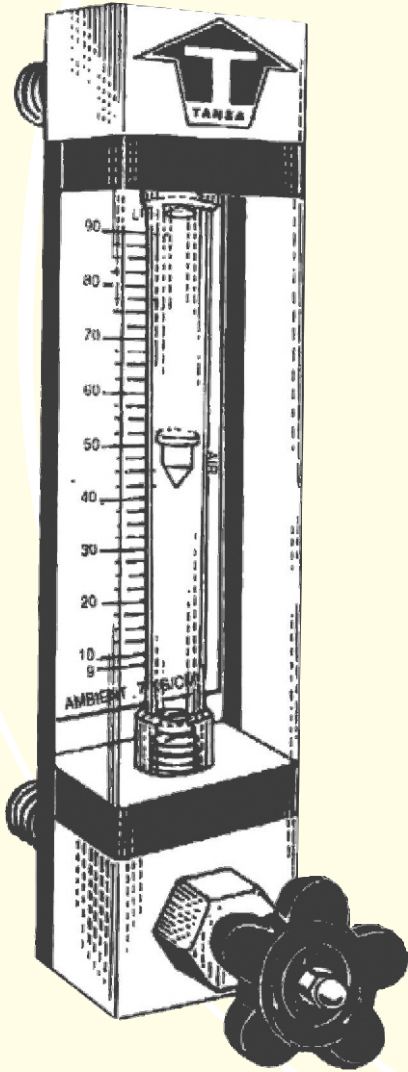
ROTAMETER

LOW - FLOW (PURGE)

Variable Area Flowmeter

Model No.
LF200

STANDARD FEATURES



- * Acrylic cover
- * Glass :- Borosilicate
- * Measuring span :- 1:10
- * Suitable for on line Installation
- * Centre to Centre Distance :- 100 mm to 300 mm.
- * Ranges between - 26 - 260 to 185 - 1850 NLPH of Air
- * Various Materials of Constructions :- MS / SS304 / SS316 / Brass.
- * Connections :- 1/4 BSP / NPT (F) Back - Back / Bottom - Top
- * Clear Acrylic Cover Provides visibility From 3 sides
- * Accuracy :- +/- 2% of full scale.
- * Easy to maintain & Replace
- * Powder coated finish
- * Linear Scale

FLOW RANGE CHART

GLASS SIZE	RATE OF FLOW OF WATER AT 20°C WITH SS316 FLOAT	RATE OF FLOW OF AIR AT AMBIENT TEMP : 760		
		316 SS FLOAT	PTFE Float	Hard Rubber Float
LF1	0.6 - 6 LPH	26 - 260 NLPH	9 - 90 NLPH	6 - 60 NLPH
LF2	1.0 - 10 LPH	36 - 360 NLPH	16 - 160 NLPH	10 - 100 NLPH
LF3	1.6 - 16 LPH	55 - 550 NLPH	25 - 250 NLPH	19 - 190 NLPH
LF4	2.5 - 25 LPH	80 - 800 NLPH	40 - 400 NLPH	26 - 260 NLPH Hollow 'AL' Float
LF5	4 - 40 LPH	110 - 1100 NLPH	65 - 650 NLPH	50 - 500 NLPH
LF6	6 - 60 LPH	185 - 1850 NLPH	100 - 1000 NLPH	80 - 800 NLPH
LF7	10 - 100 LPH	300 - 3000 NLPH	170 - 1700 NLPH	130 - 1300 NLPH
LF8	16 - 160 LPH	500 - 5000 NLPH	360 - 3600 NLPH	185 - 1850 NLPH



Tansa Equipments Pvt. Ltd.

Unit No. 35/36/41, Om Anand Industrial estate, M. S. Road, Raghunath Nagar, Thane - 400604 (Maharashtra) India.

Tel. : 2583 2323 , 65720669 Fax : 2582 3708,

E-mail : tansaindia@gmail.com / tansa@bom8.vsnl.net.in / tansa@mtnl.net.in

Website : www.tansaequipments.com, www.rotameters.co.in

We also manufacture Glass Tube, Purge type, Acrylic body, by - Pass Rotameters & Orifice Assy.



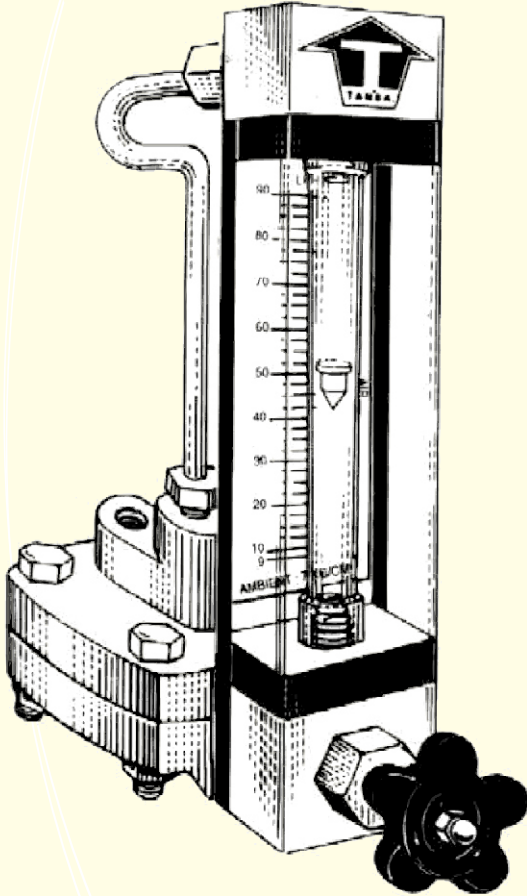
ROTAMETER

LOW - FLOW (PURGE)

Variable Area Flowmeter

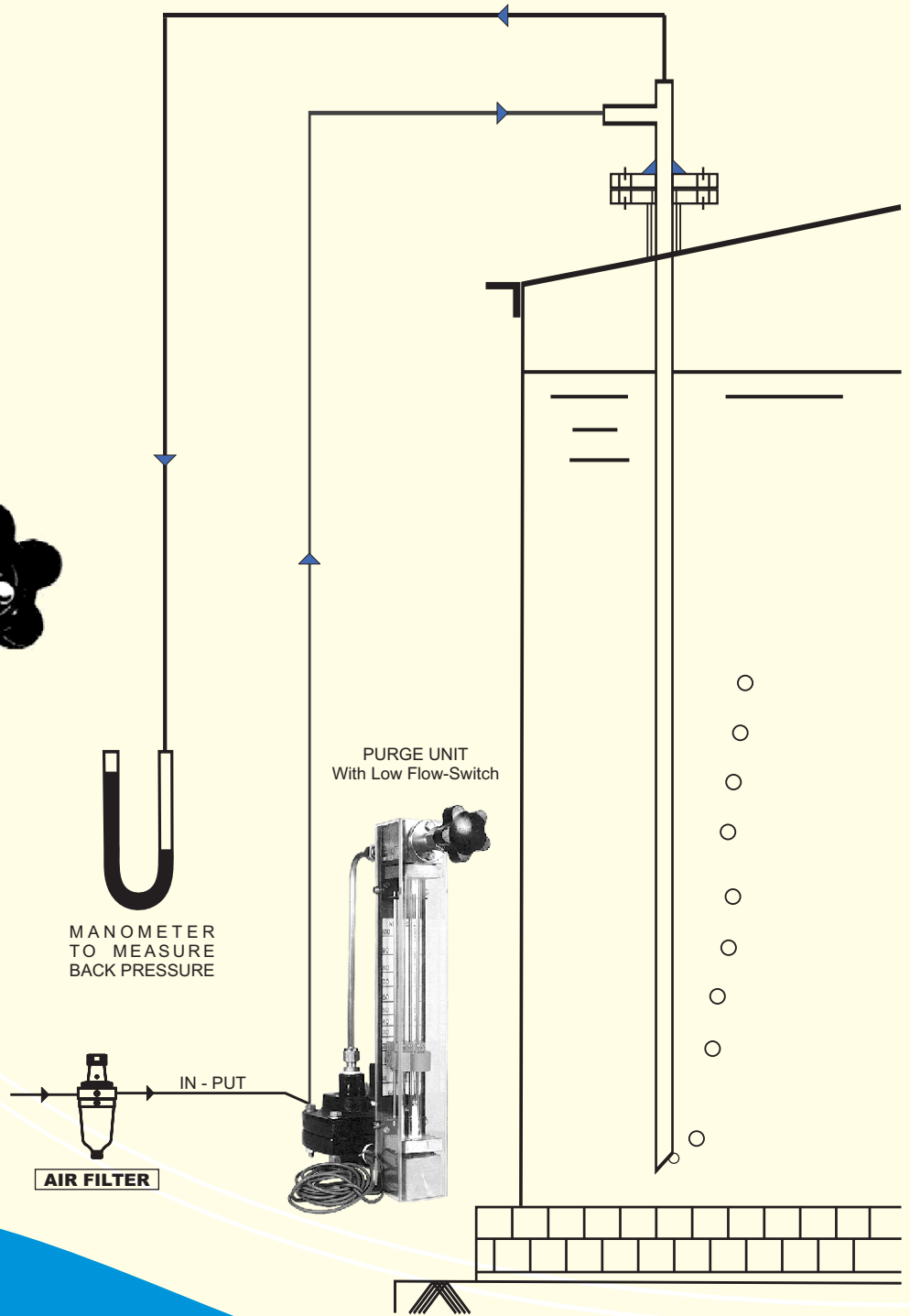
Model No.
LF200

INSTALLATION OF PURGE UNIT



DATA REQUIRED FOR OFFER

- 1) Tag No.
- 2) MOC Of Wetted Parts
- 3) Connection Size
- 4) Fluid
- 5) Operating Conditions
 - A) Fluid Density / SPGR
 - B) Pressure
 - C) Temperature
 - D) Viscosity.
- 6) Measuring Range



Tansa Equipments Pvt. Ltd.

Unit No. 35/36/41, Om Anand Industrial estate, M. S. Road, Raghunath Nagar, Thane - 400604 (Maharashtra) India.

Tel. : 2583 2323 , 65720669 Fax : 2582 3708,

E-mail : tansaindia@gmail.com / tansa@bom8.vsnl.net.in / tansa@mtnl.net.in

Website : www.tansaequipments.com, www.rotameters.co.in

We also manufacture Glass Tube, Purge type, Acrylic body, by - Pass Rotameters & Orifice Assy.